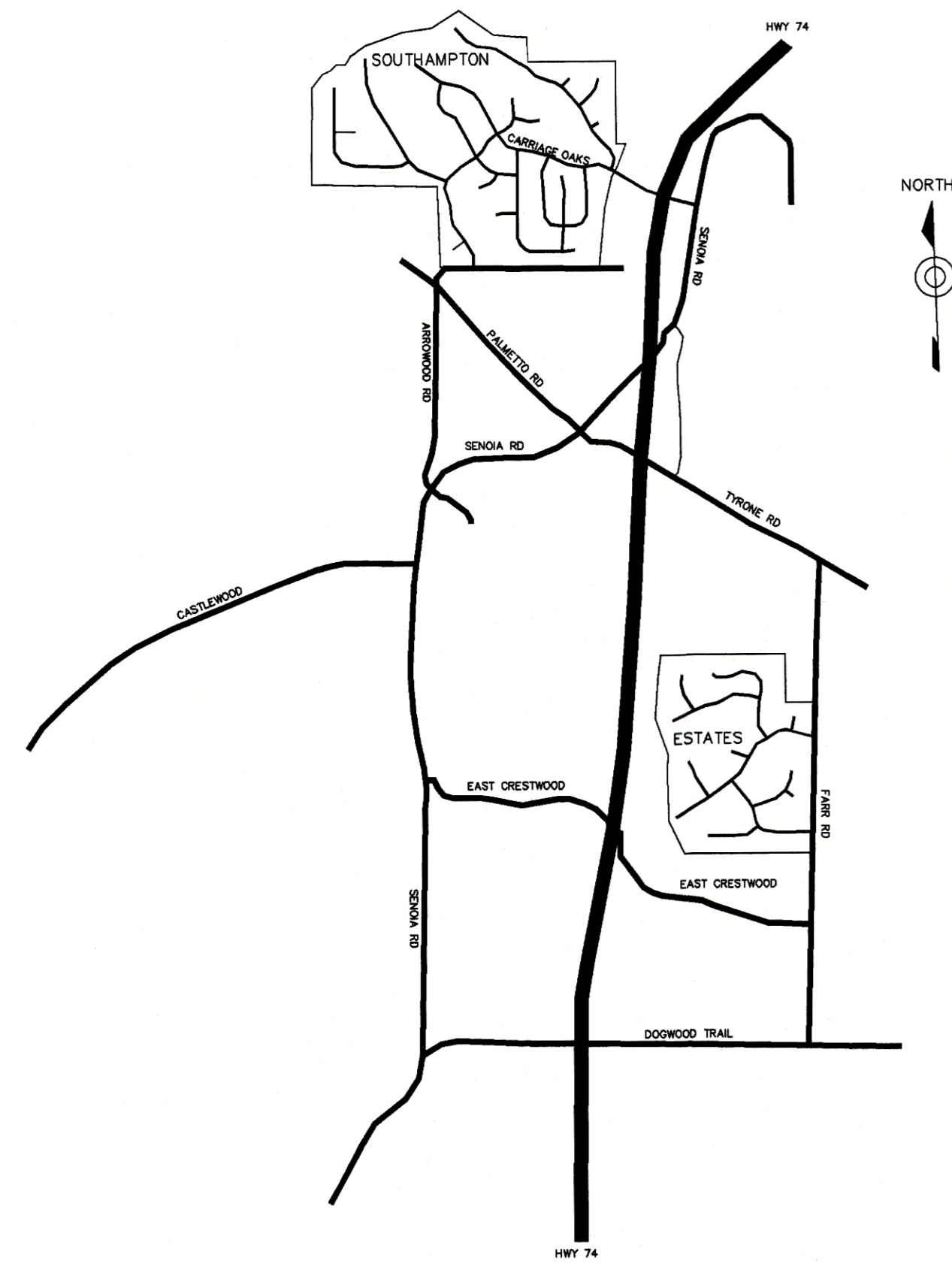


2021 SIDEWALK REPAIRS ESTATES AND SOUTHAMPTON

PROJECT NUMBER: PW-2021-01
JANUARY 10, 2021



VICINITY MAP



TOWN OF TYRONE

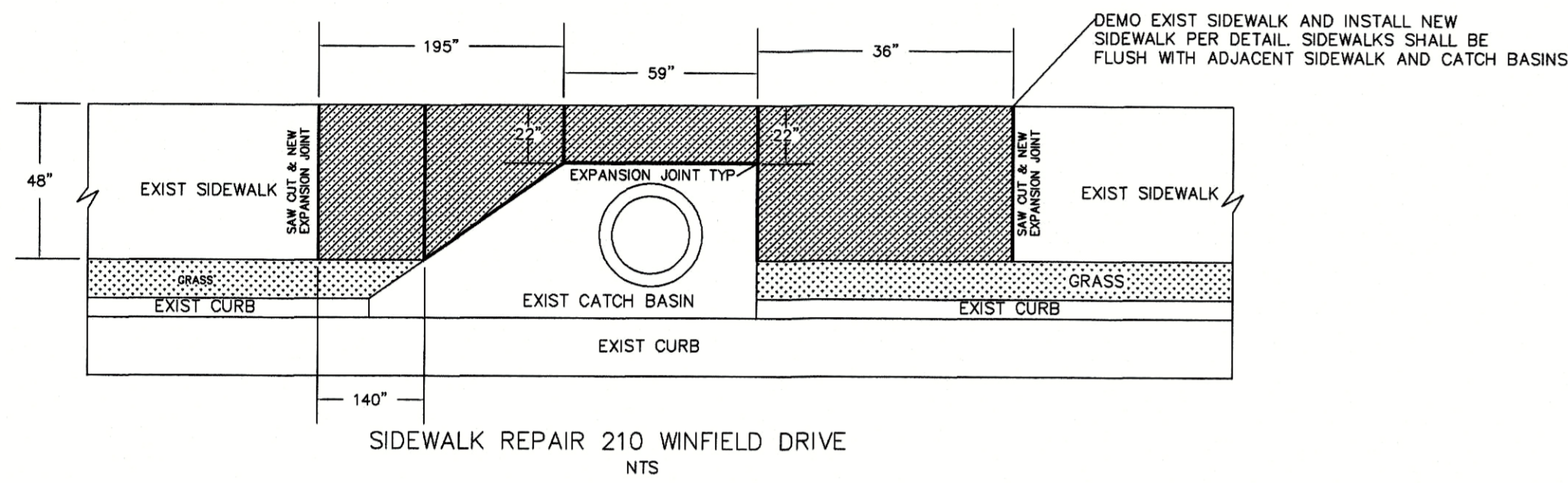
950 SENOIA ROAD
TYRONE, GA 30290
770-487-4038

DRAWING INDEX

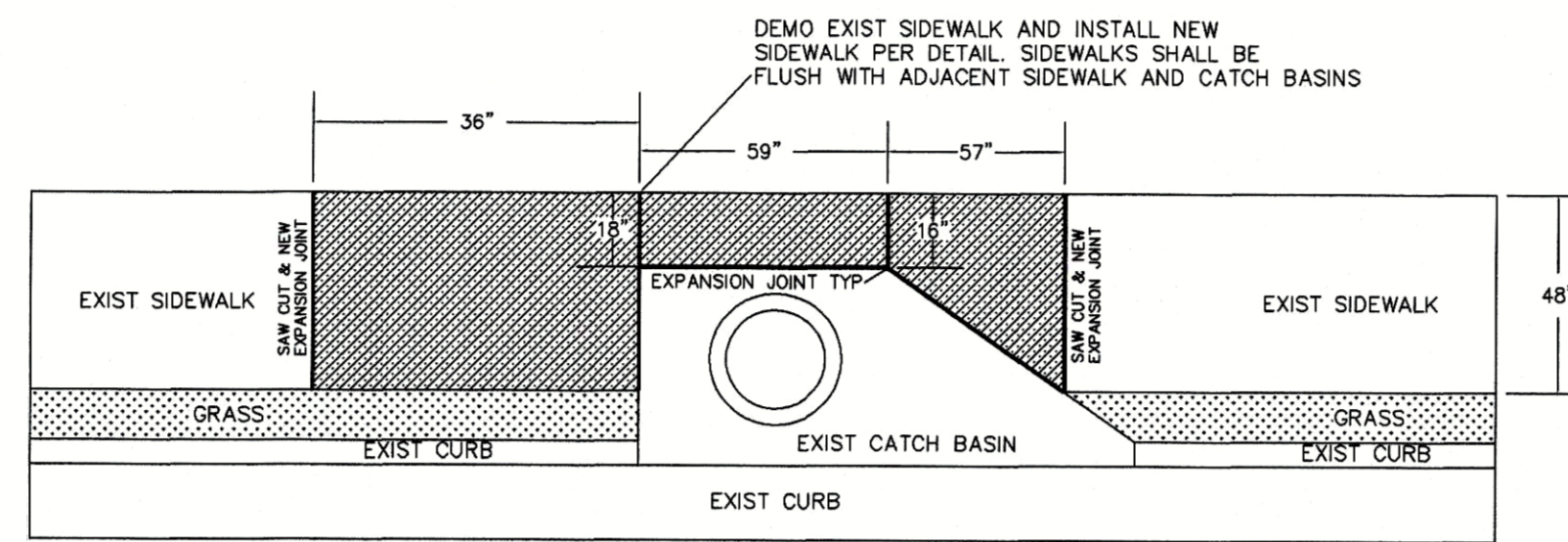
TITLE SHEET

C101	ESTATES SIDEWALK PLAN VIEW
C102	SOUTHAMPTON SIDEWALK PLAN VIEW
C103	SOUTHAMPTON SIDEWALK PLAN VIEW
C104	DETAILS & SCHEDULES

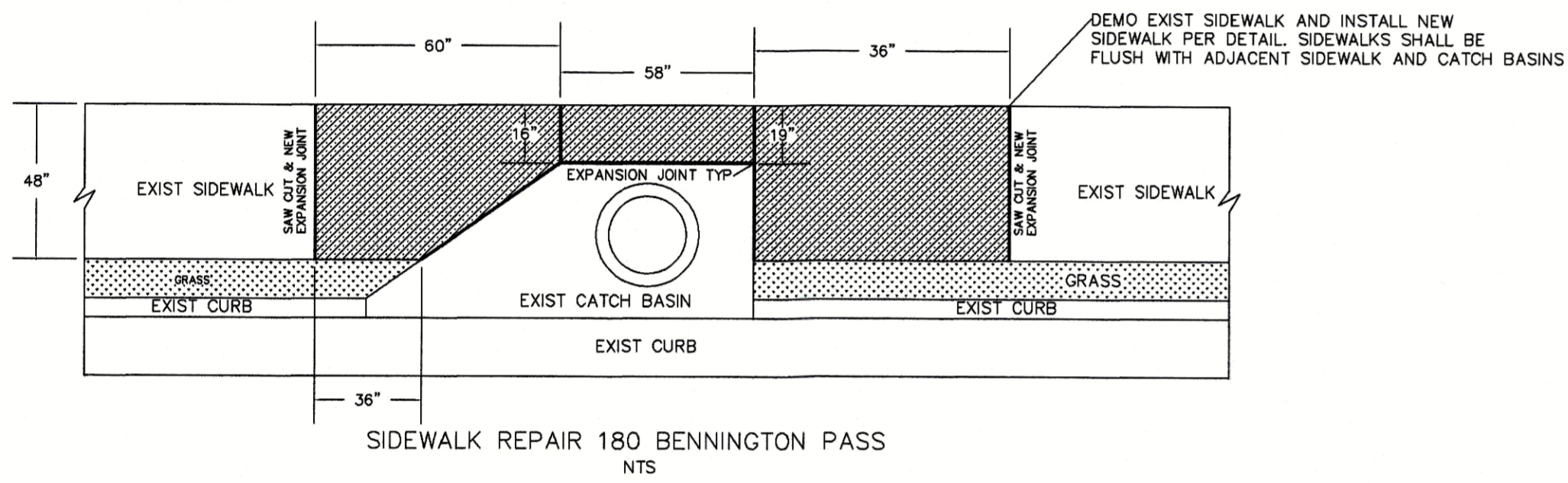
BEFORE DIGGING IN
 GEORGIA
 CALL 811



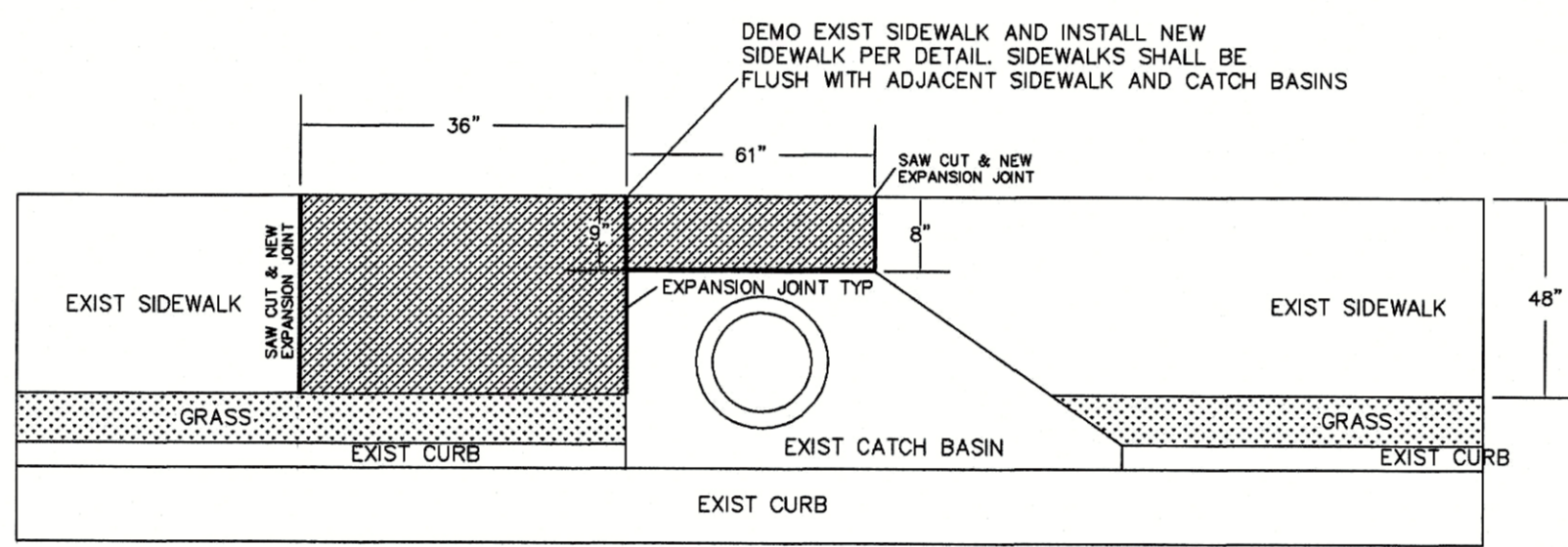
SIDEWALK REPAIR 210 WINFIELD DRIVE
 NTS



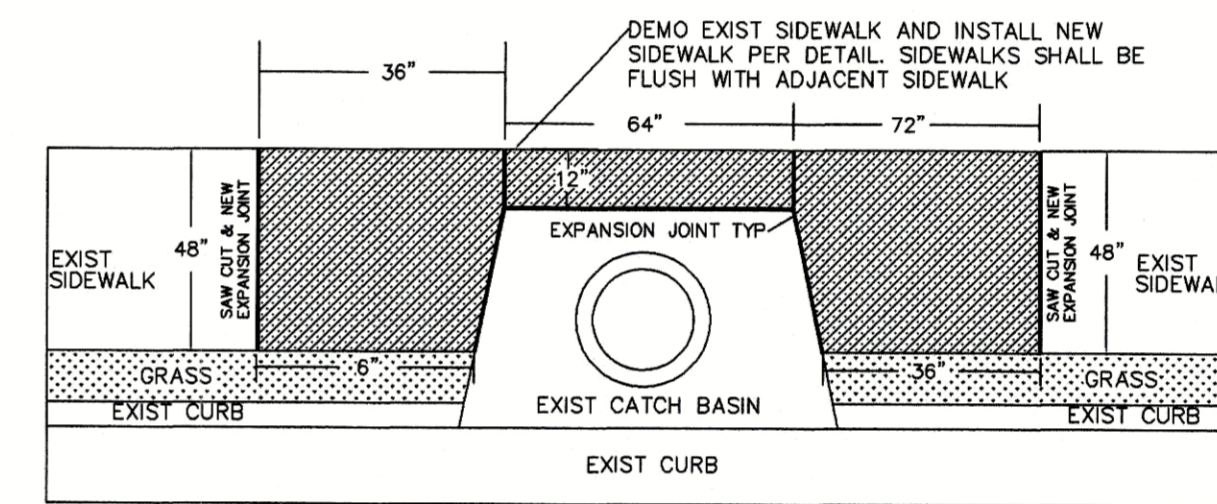
SIDEWALK REPAIR 205 NEWFIELD DRIVE
 NTS



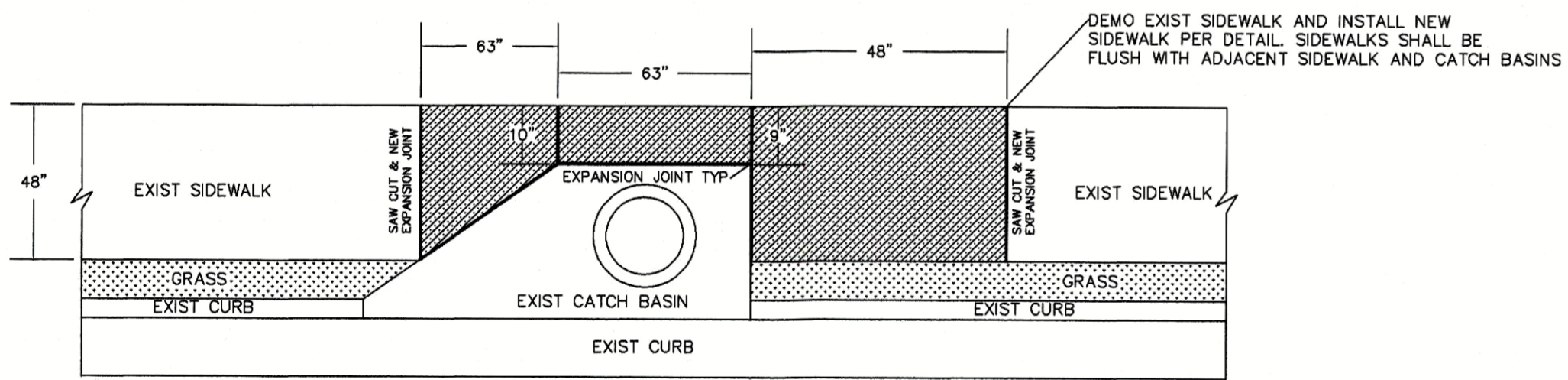
SIDEWALK REPAIR 180 BENNINGTON PASS
 NTS



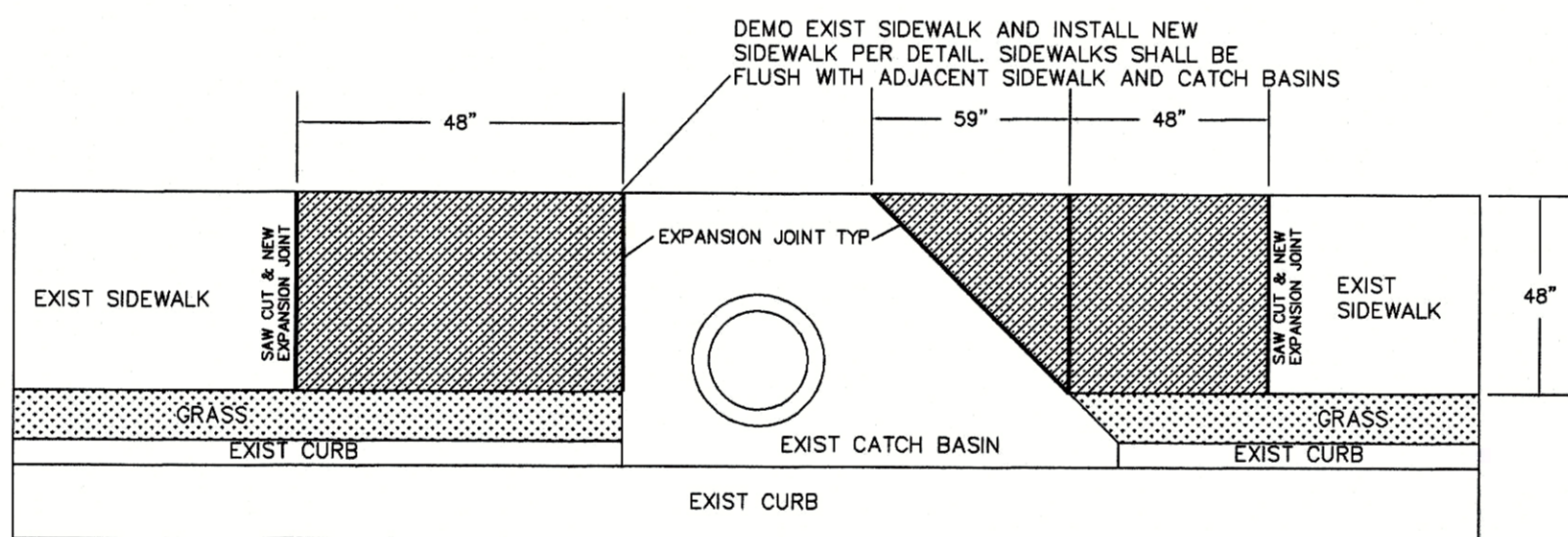
SIDEWALK REPAIR 125 CHATHAM COURT
 NTS



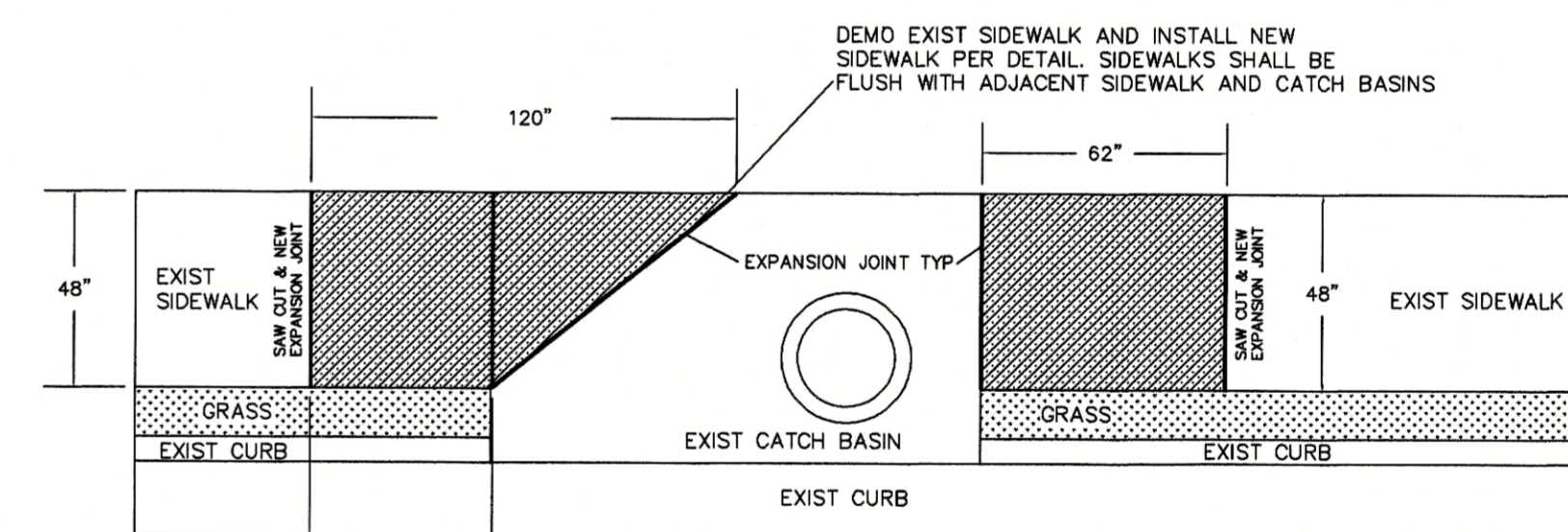
SIDEWALK REPAIR 190 BENNINGTON PASS
 NTS



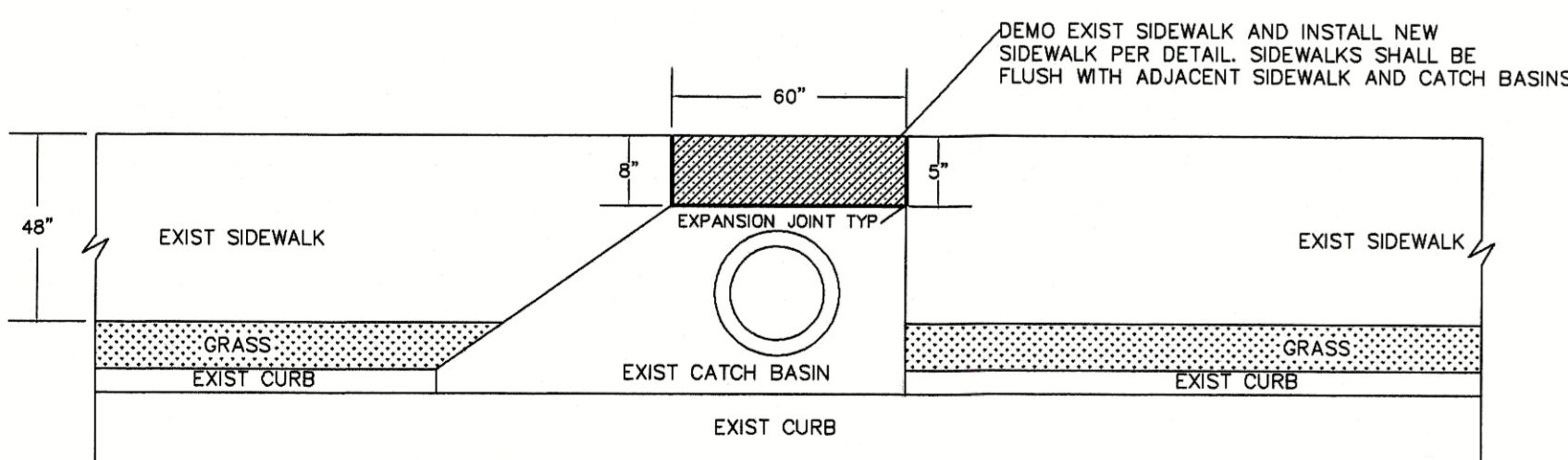
SIDEWALK REPAIR 230 HEDGECOCK WAY
 NTS



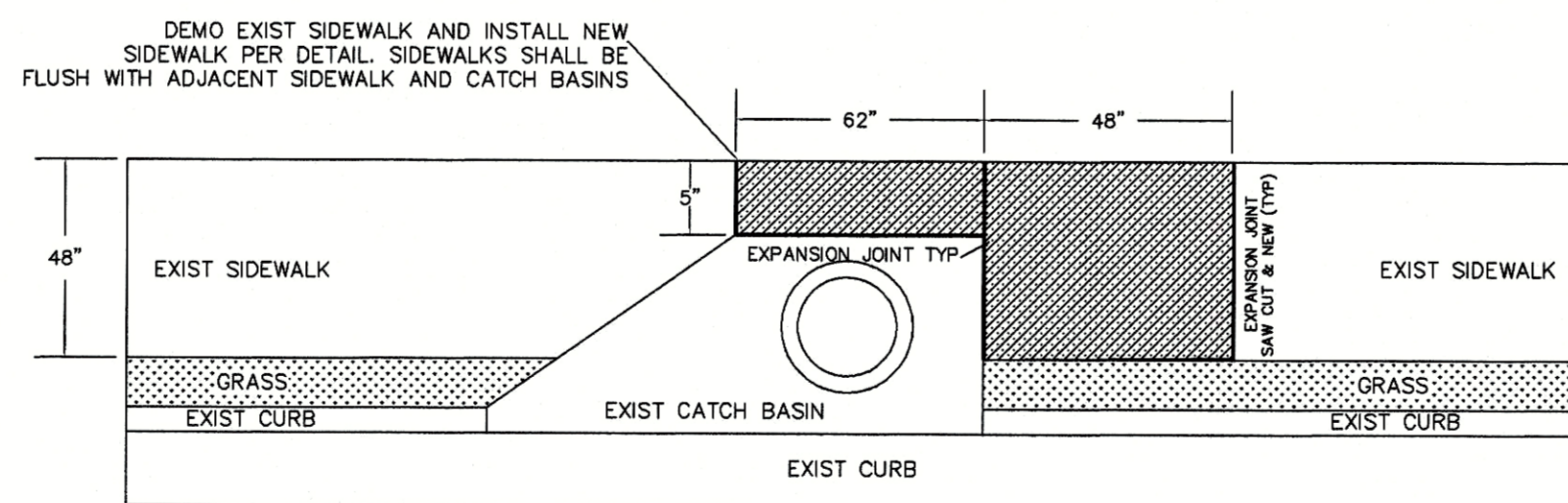
SIDEWALK REPAIR 100 MELROSE GLEN
 NTS



SIDEWALK REPAIR 105 MELROSE GLEN
 NTS

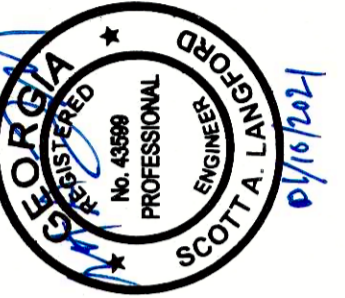


SIDEWALK REPAIR 105 GREYFIELD DRIVE
 NTS



SIDEWALK REPAIR 105 MELROSE GLEN
 NTS

TOWN OF TYRONE
 950 SENOIA ROAD
 TYRONE, GA 30290
 770-487-4038



2021 SIDEWALK REPAIRS
 ESTATES AND SOUTHAMPTON

PW-2021-01

TOWN OF TYRONE

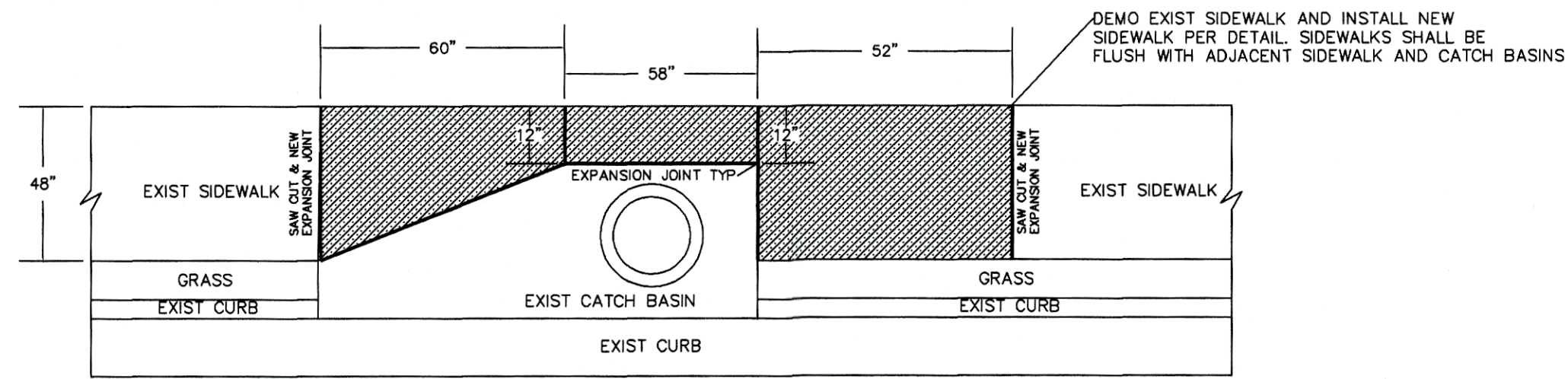
Project Name	ESTATES AND SOUTHAMPTON
Project No.	PW-2021-01
Location	TOWN OF TYRONE
By	
Date	
Summary	

ESTATES

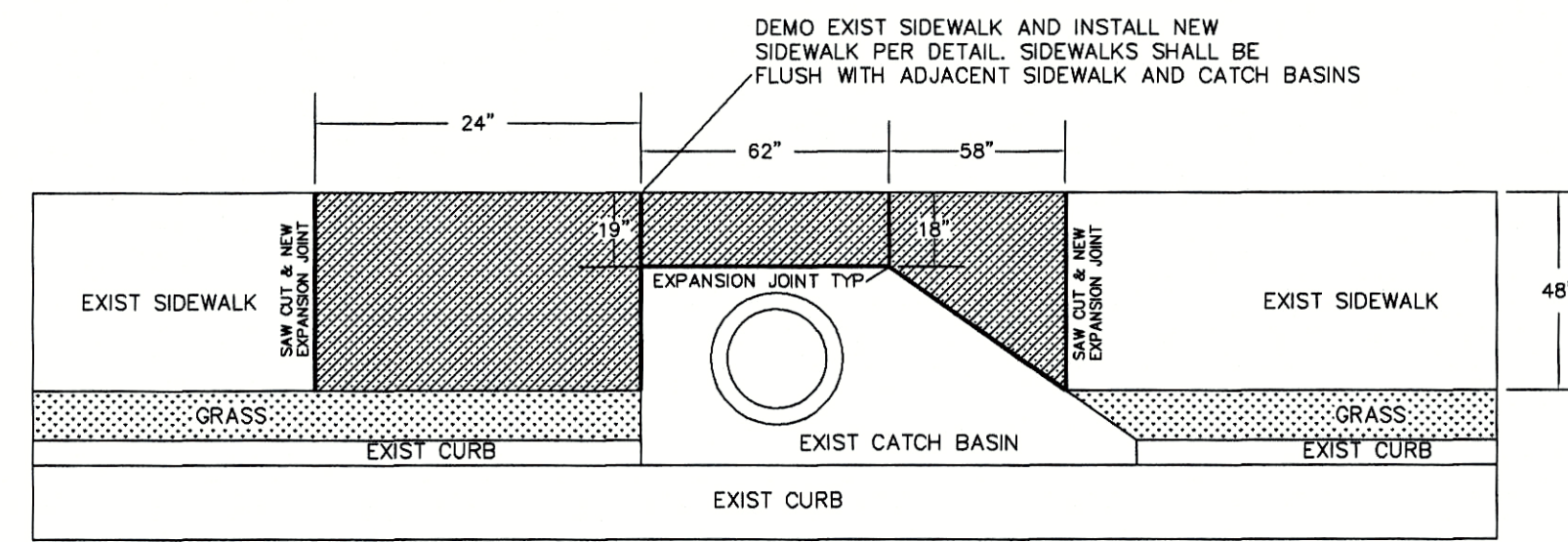
ESTATES
 SIDEWALK
 PLAN VIEW

Sheet Title	ESTATES SIDEWALK PLAN VIEW
Scale	AS NOTED
Designed by	SAL
Drawn by	SAL
Sheet No.	C101
Date	JAN 10, 2021
Filename	2021 SIDEWALK REPAIRS

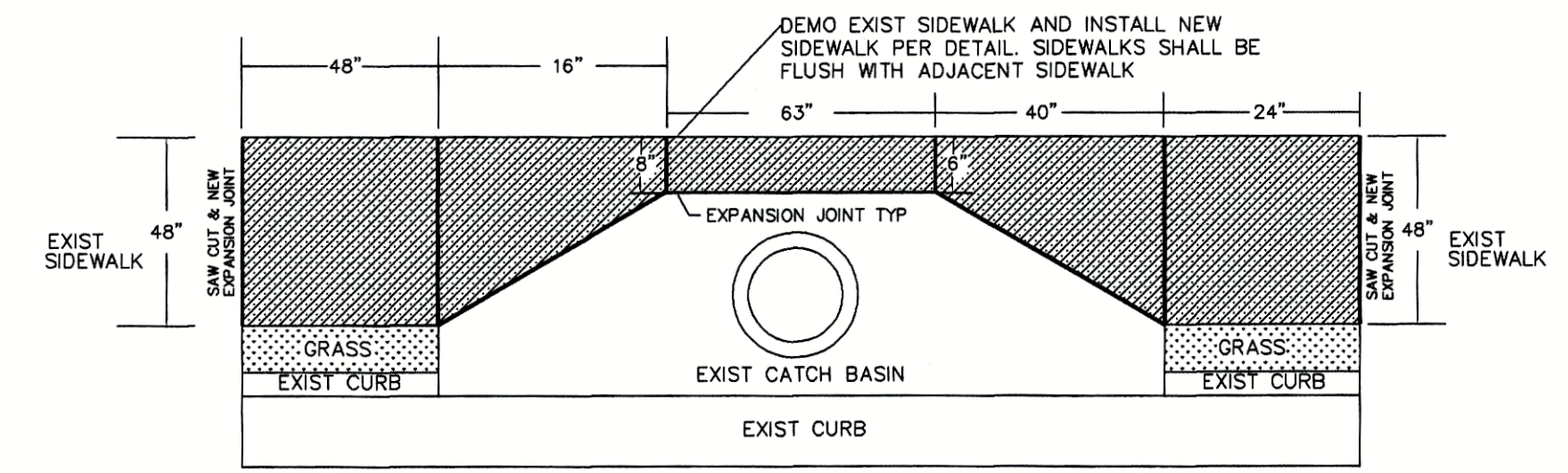
BEFORE DIGGING IN
 GEORGIA
 CALL 811



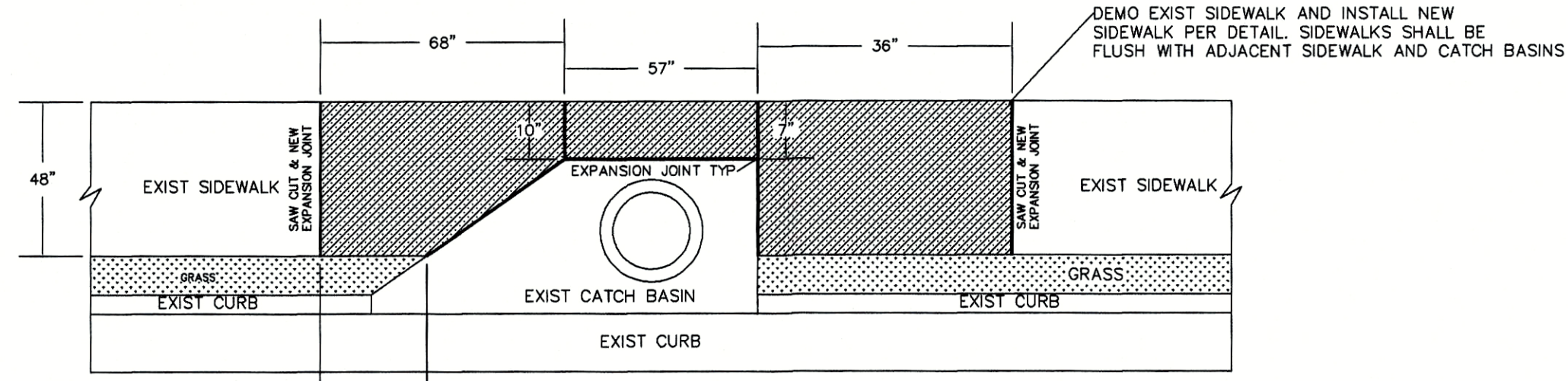
SIDEWALK REPAIR 300 WYNFIELD DRIVE
 NTS



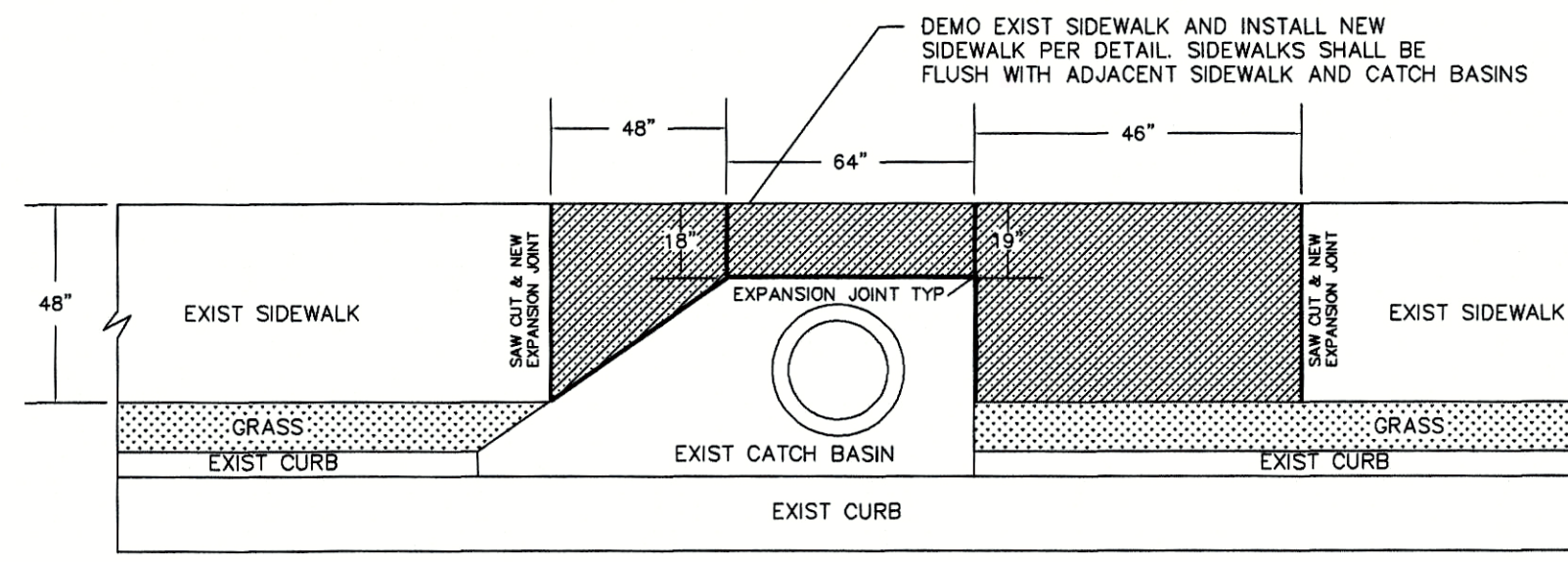
SIDEWALK REPAIR 109 GREENBRANCH DRIVE
 NTS



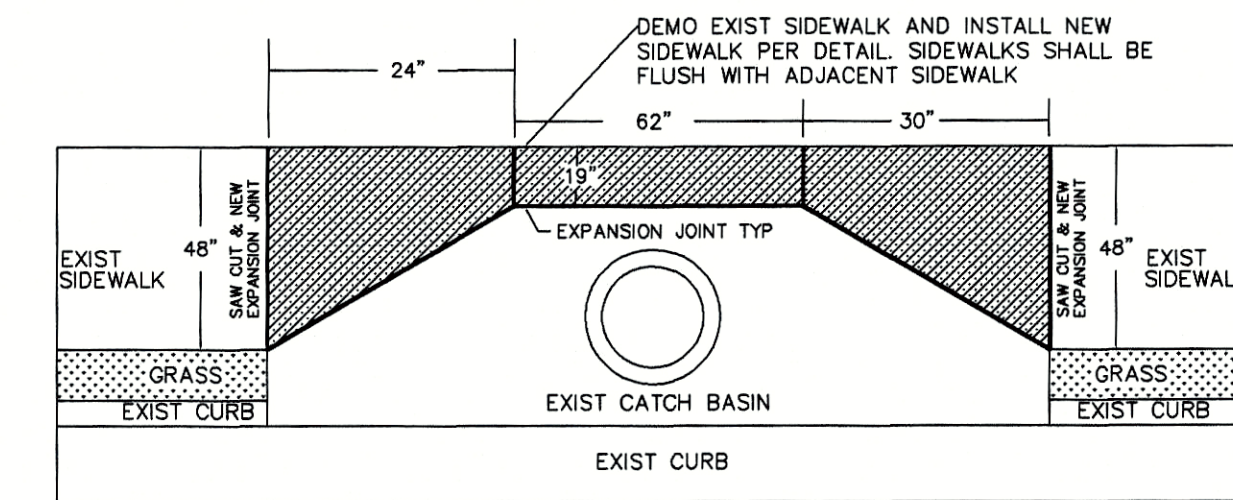
SIDEWALK REPAIR 107 PRESTMORE COURT
 NTS



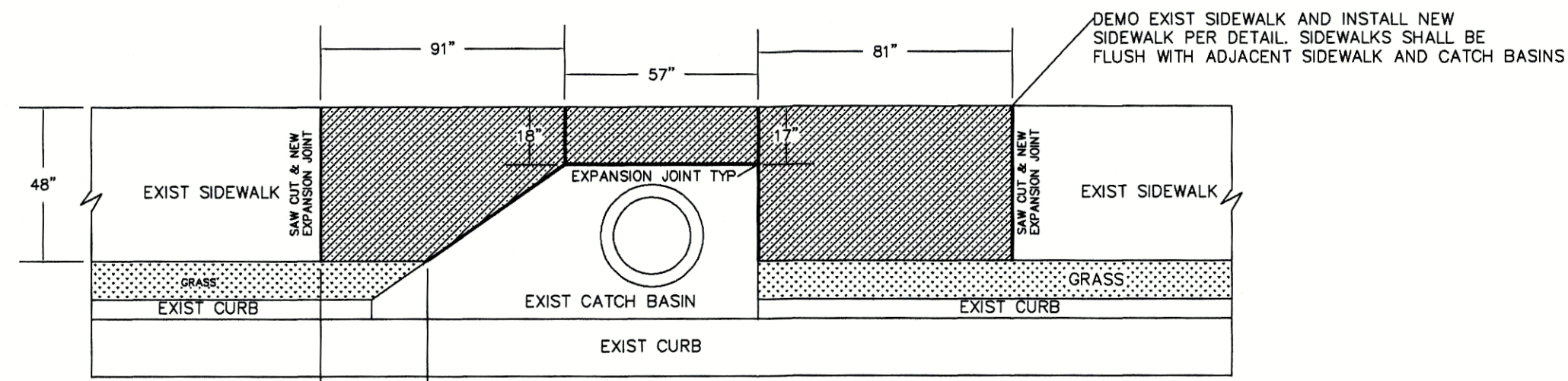
SIDEWALK REPAIR 325 CARRIAGE OAKS
 NTS



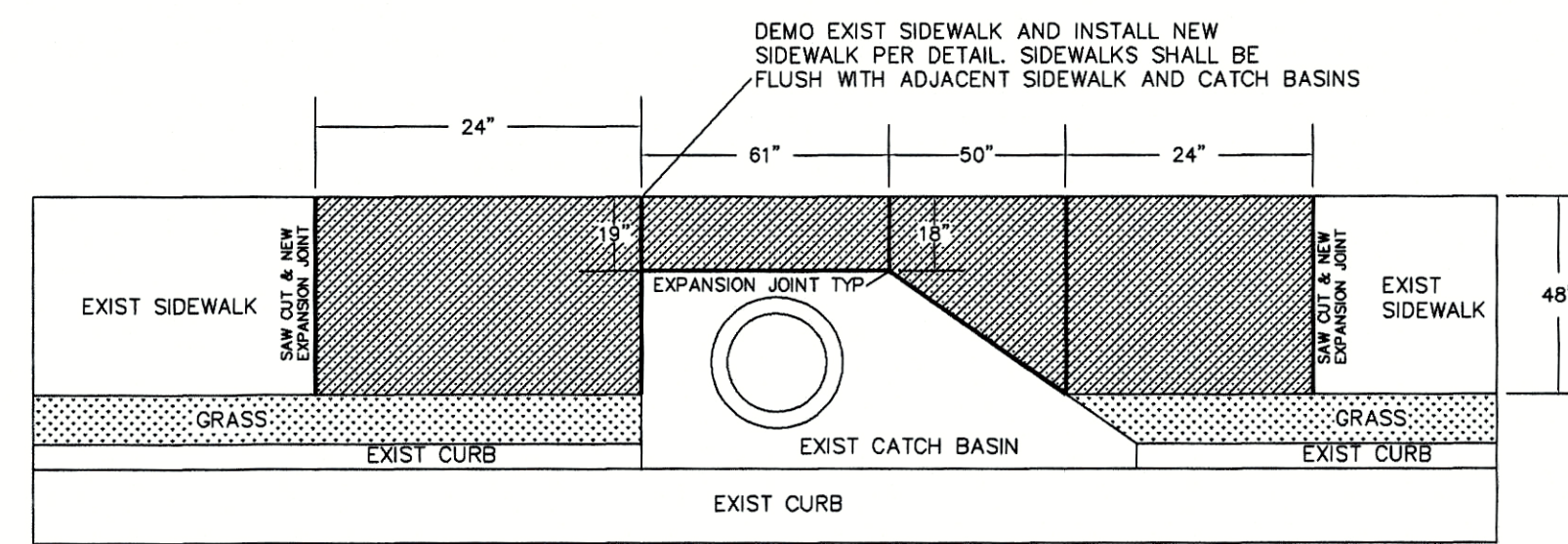
SIDEWALK REPAIR 112 GREENBRANCH DRIVE
 NTS



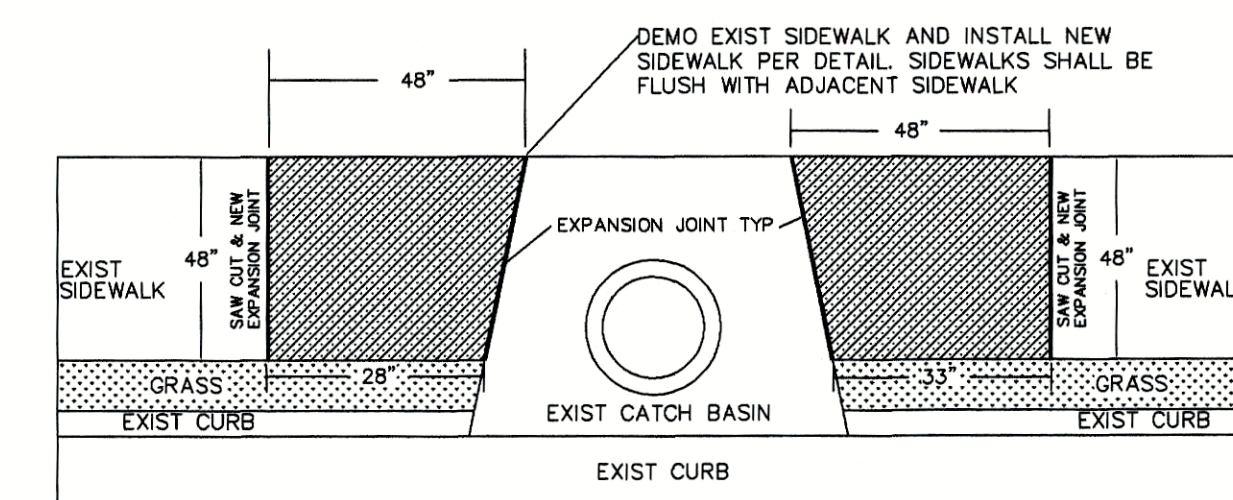
SIDEWALK REPAIR 102 GREENBRANCH DRIVE
 NTS



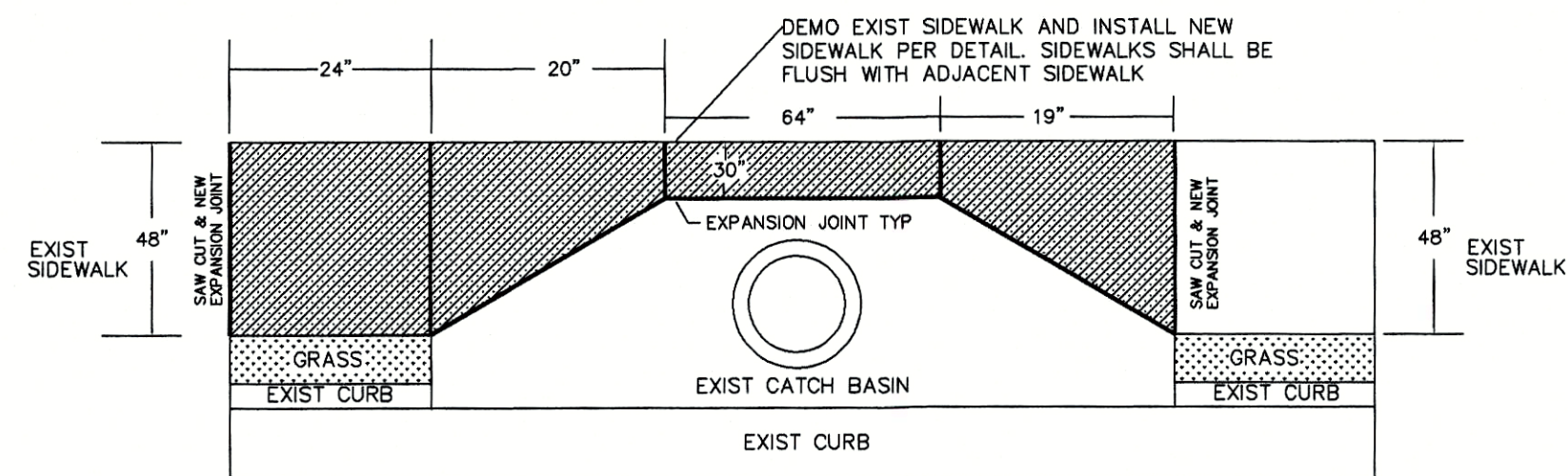
SIDEWALK REPAIR 120 GREENBRANCH DRIVE
 NTS



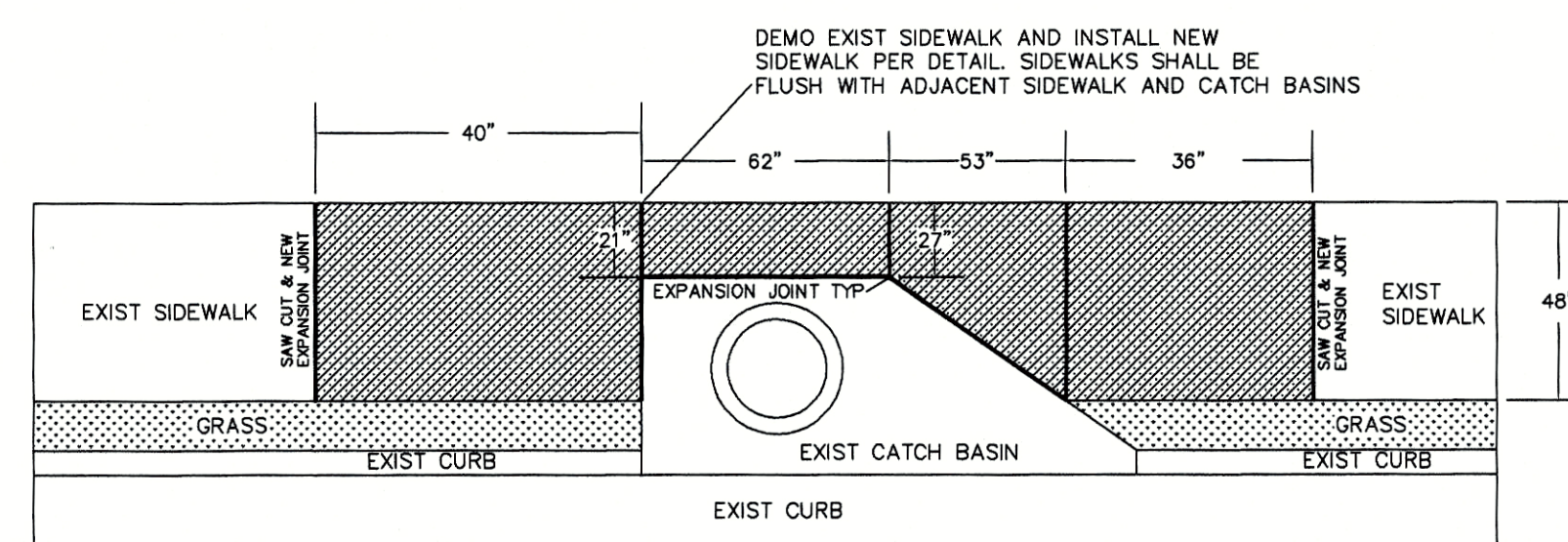
SIDEWALK REPAIR 117 GREENBRANCH DRIVE
 NTS



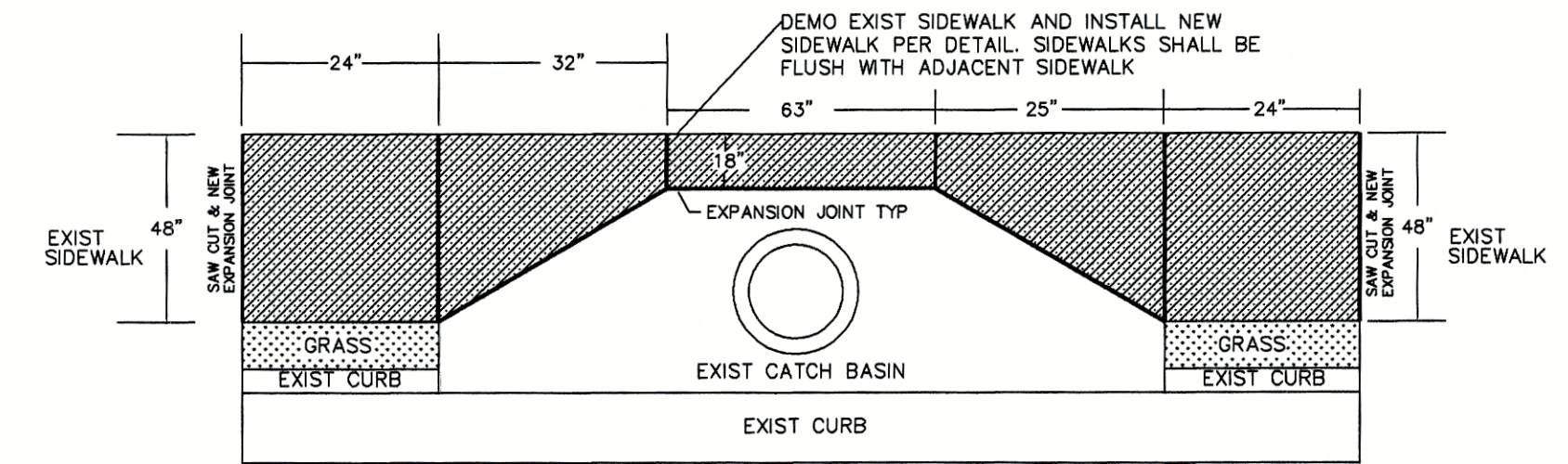
SIDEWALK REPAIR 113 WESTMONT WAY
 NTS



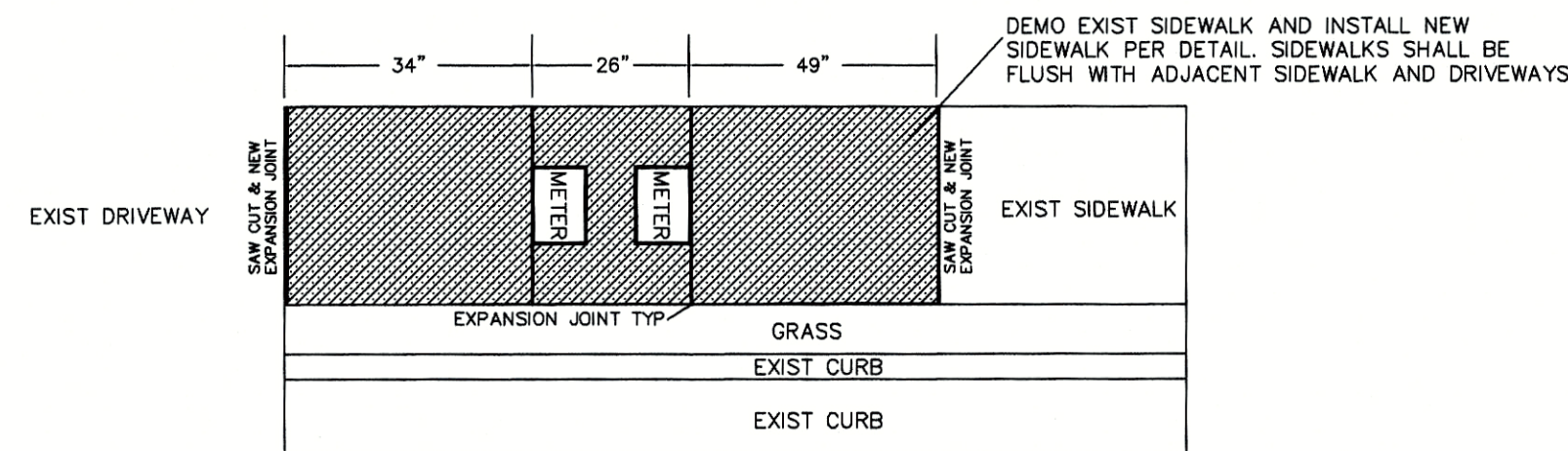
SIDEWALK REPAIR 138 GREENBRANCH DRIVE
 NTS



SIDEWALK REPAIR 100 WORTHINGTON COURT
 NTS

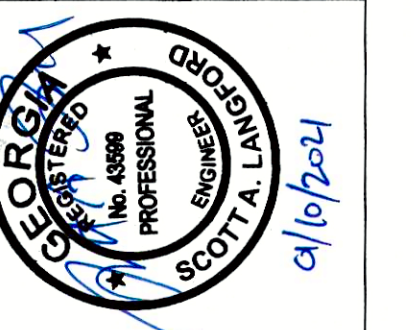


SIDEWALK REPAIR 133 WESTMONT WAY
 NTS



SIDEWALK REPAIR 294 CARRIAGE OAKS RECTANGLE
 NTS

TOWN OF TYRONE
 950 SENOIA ROAD
 TYRONE, GA 30290
 770-487-4038



2021 SIDEWALK REPAIRS
 ESTATES AND SOUTHAMPTON

PW-2021-01

TOWN OF TYRONE

SOUTHAMPTON
 SIDEWALK
 PLAN VIEW

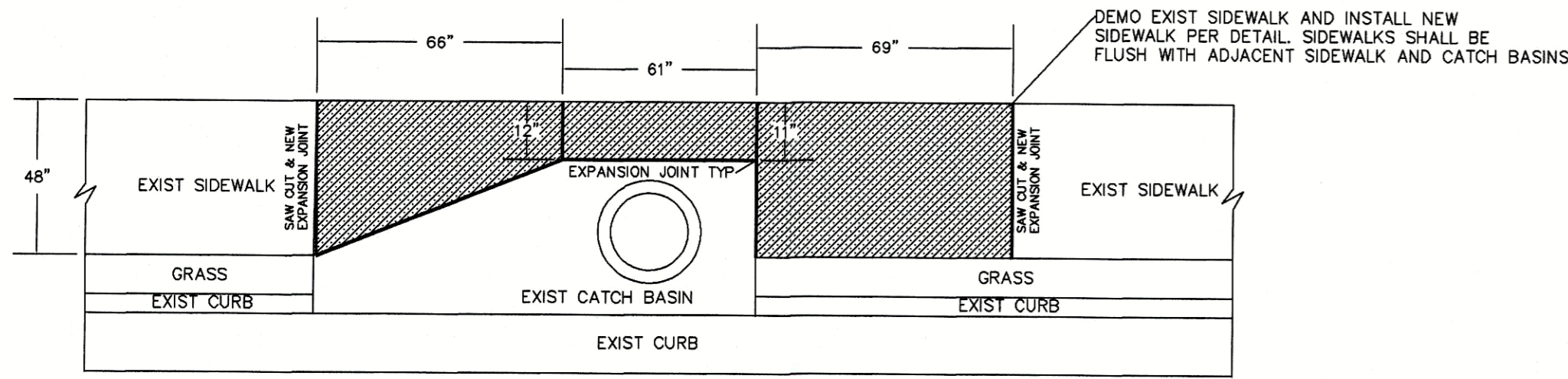
Scale AS NOTED
 Designed by SAL
 Drawn by SAL

Sheet No. C102

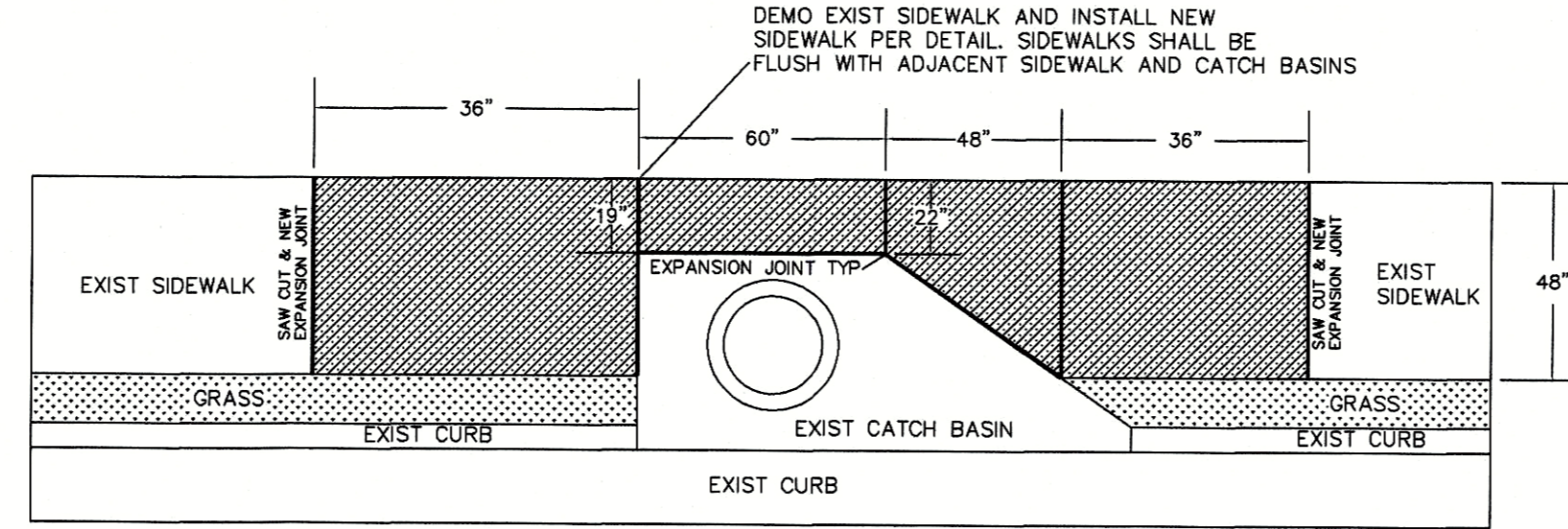
Date JAN 10, 2021
 Filename: 2021 SIDEWALK REPAIRS

No.	Summary	Date	By

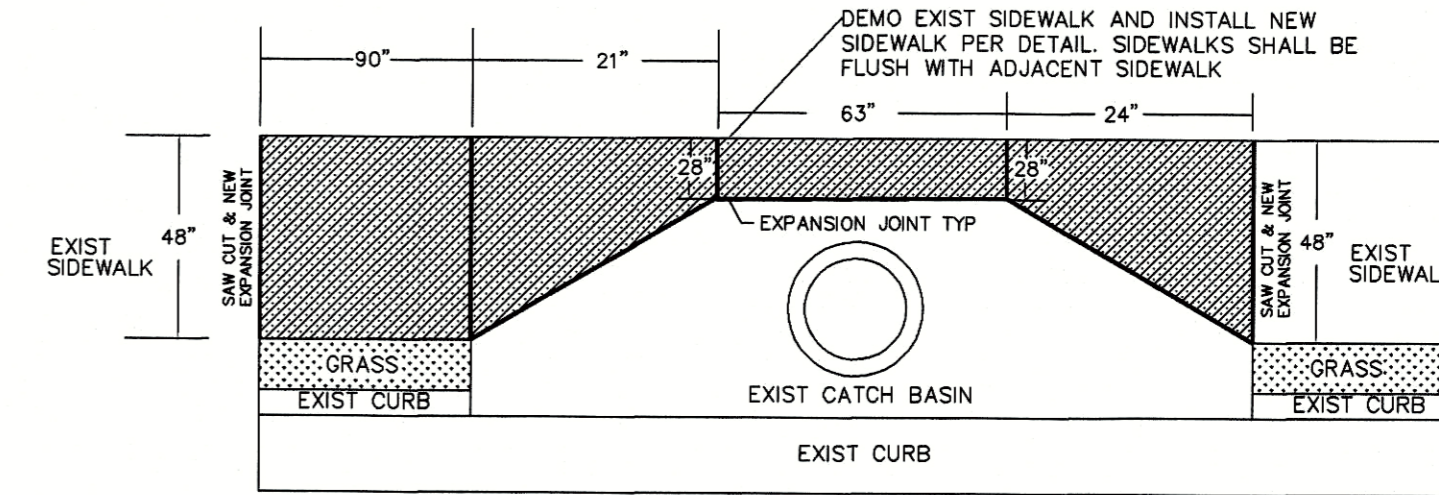
BEFORE DIGGING IN
GEORGIA
CALL 811



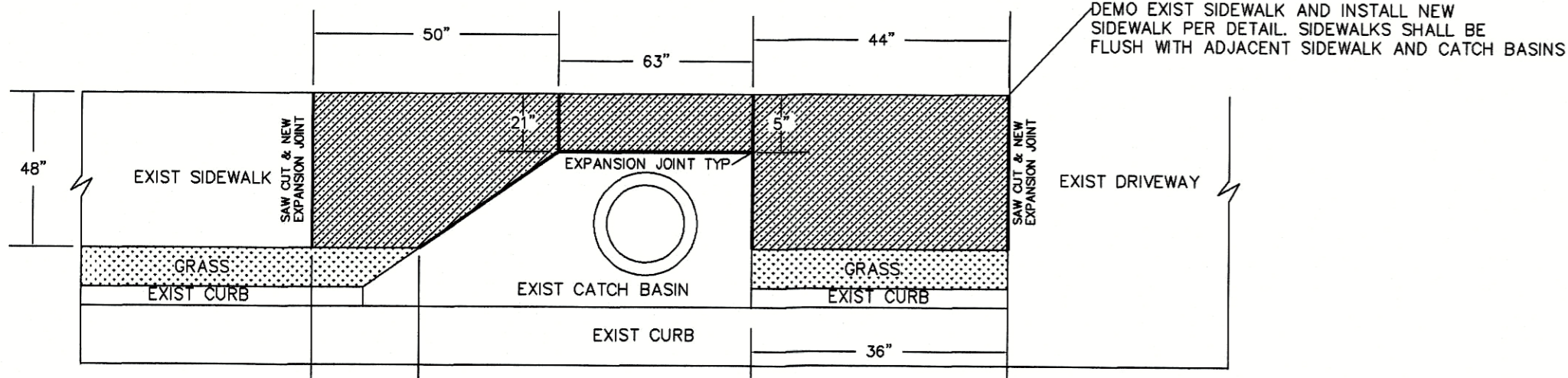
SIDEWALK REPAIR 105 WILMINGTON PLACE
NTS



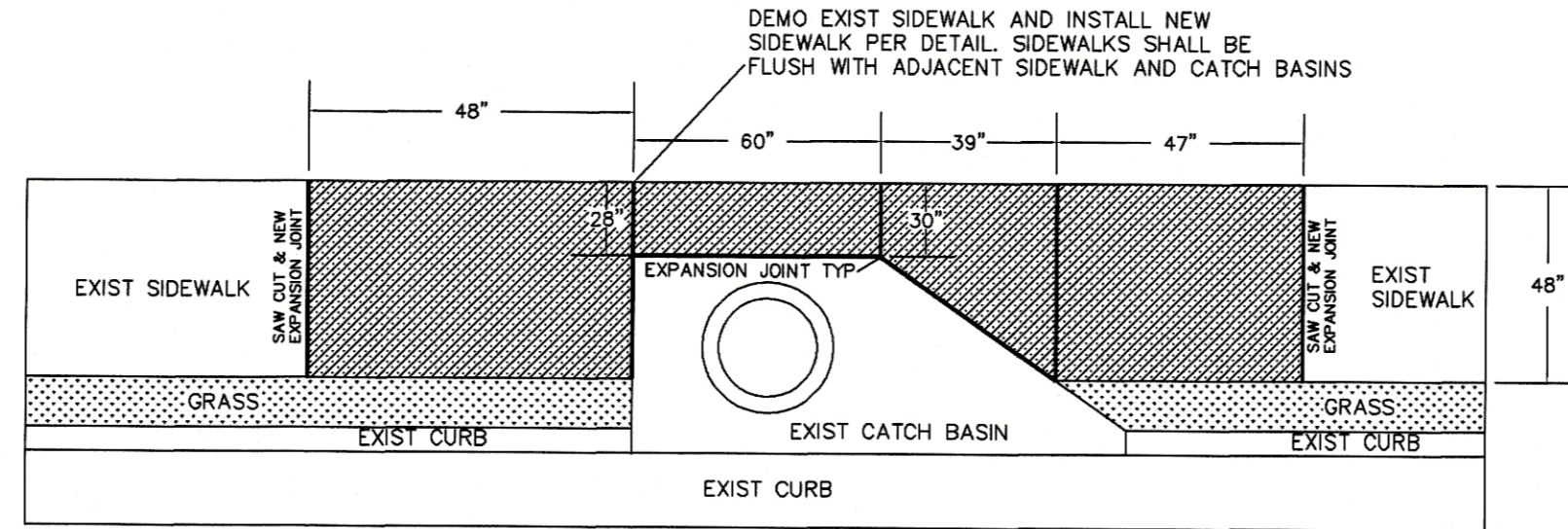
SIDEWALK REPAIR 203 WILMINGTON PLACE
NTS



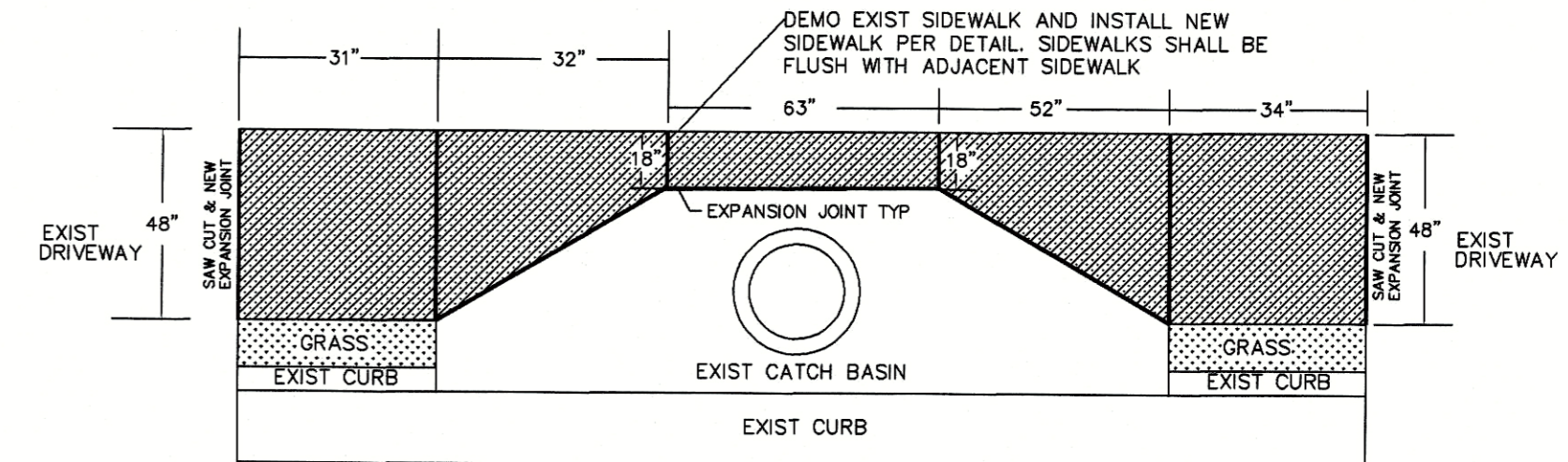
SIDEWALK REPAIR 108 MAYCROFT COURT
NTS



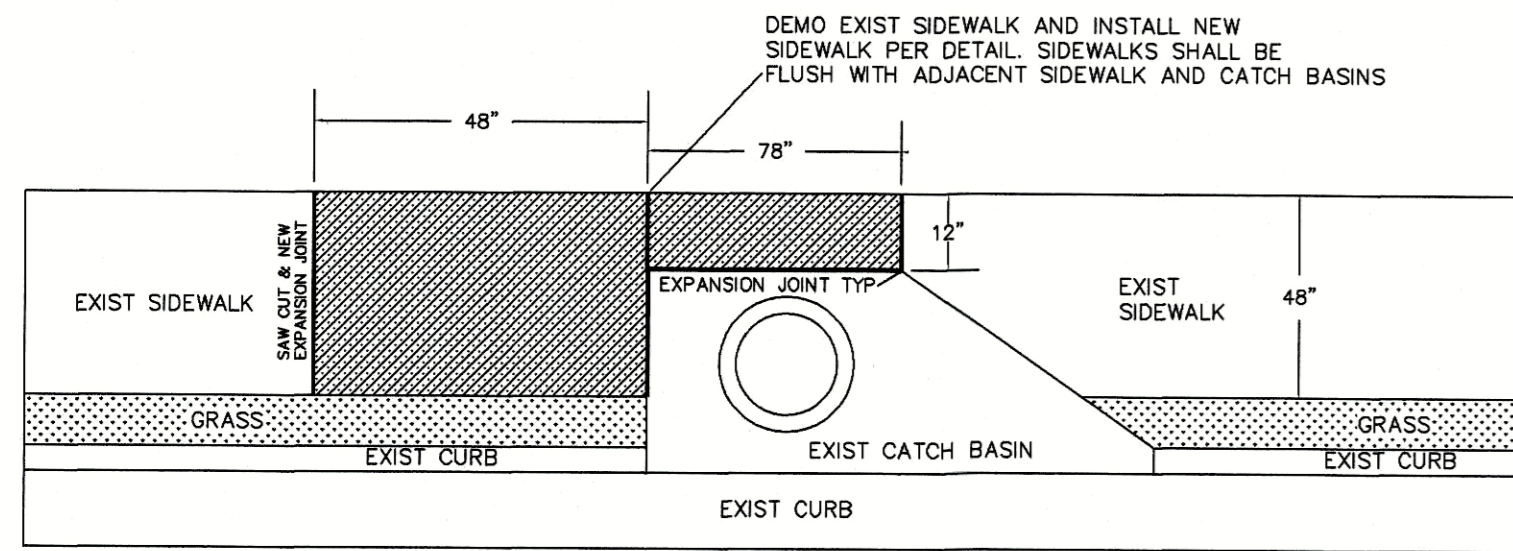
SIDEWALK REPAIR 104 VILLAGE GREEN CIRCLE
NTS



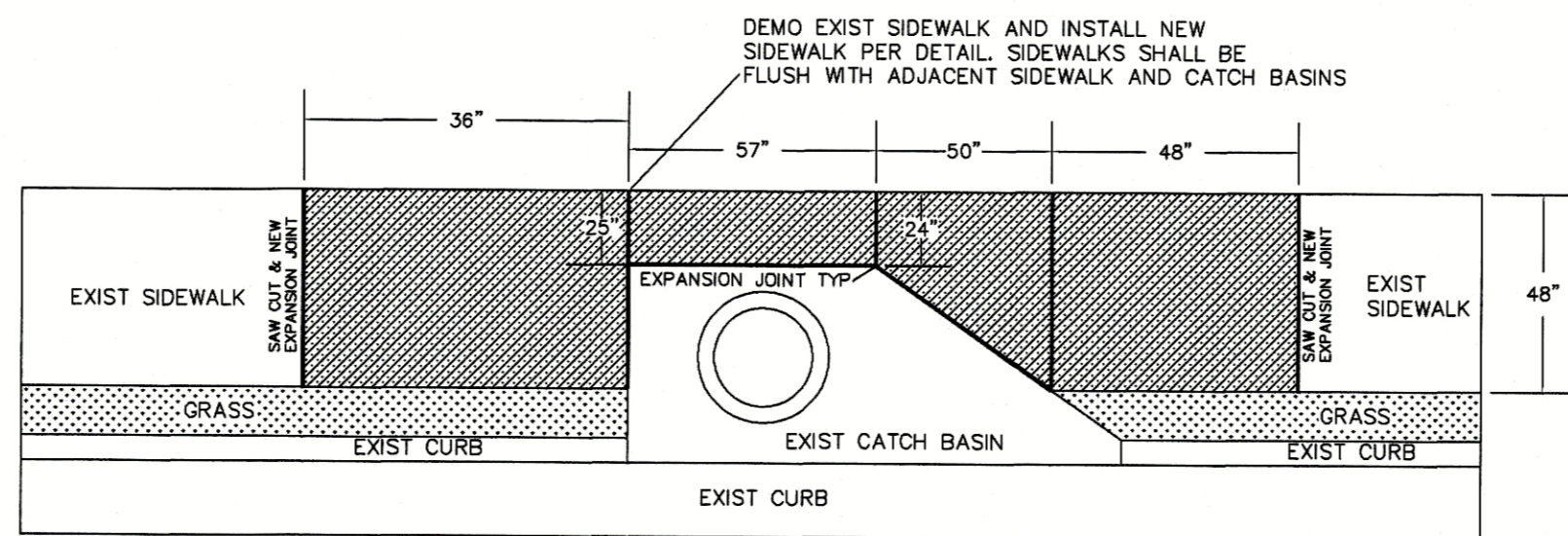
SIDEWALK REPAIR 101 MAYCROFT COURT
NTS



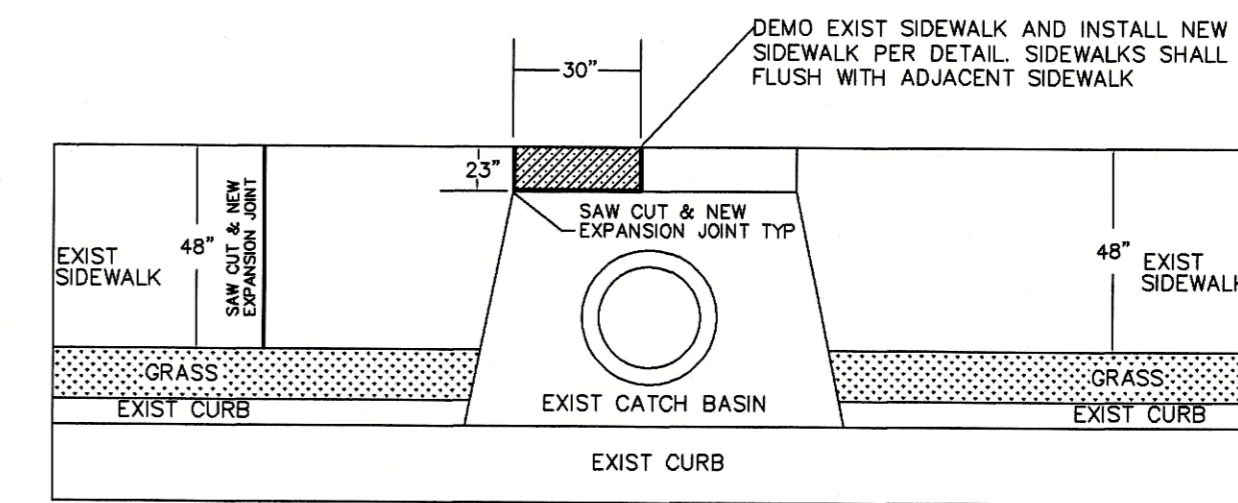
SIDEWALK REPAIR 106 BANKS WAY COURT
NTS



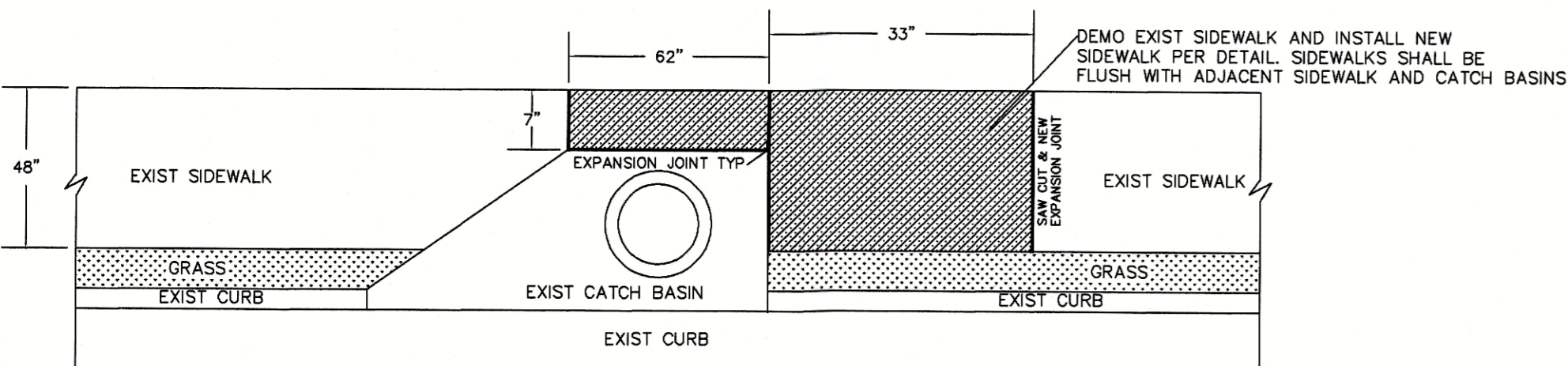
SIDEWALK REPAIR 123 BRUNSWICK DRIVE
NTS



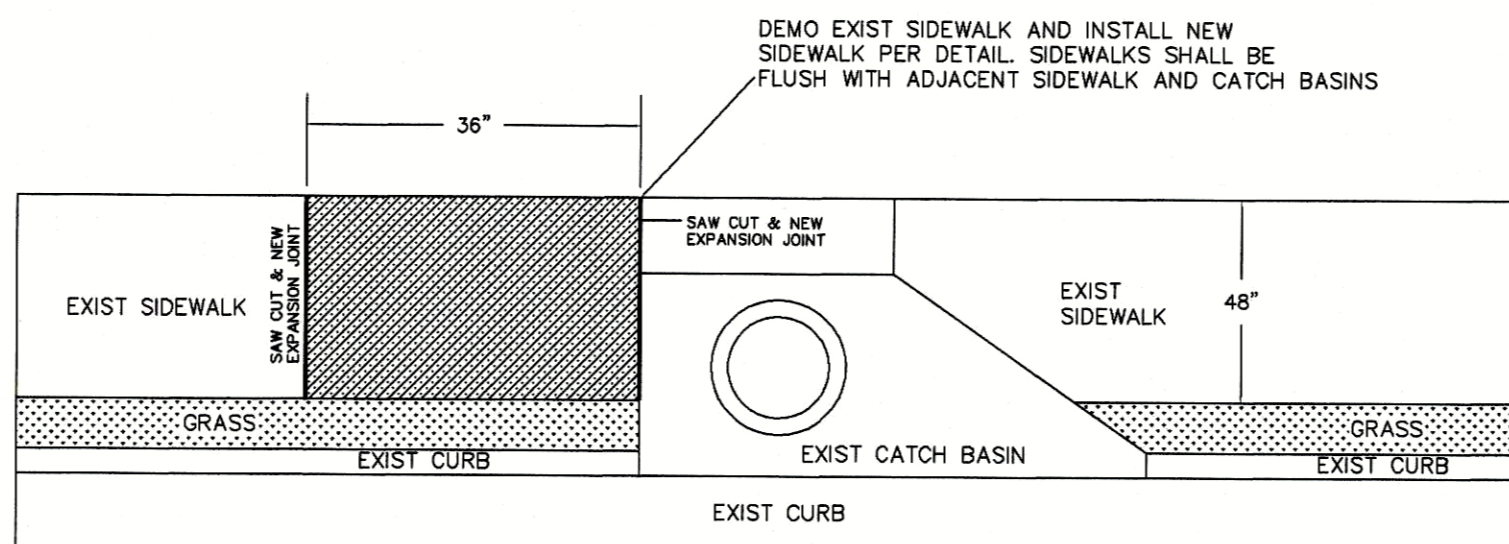
SIDEWALK REPAIR 204 CHADMORE LANE
NTS



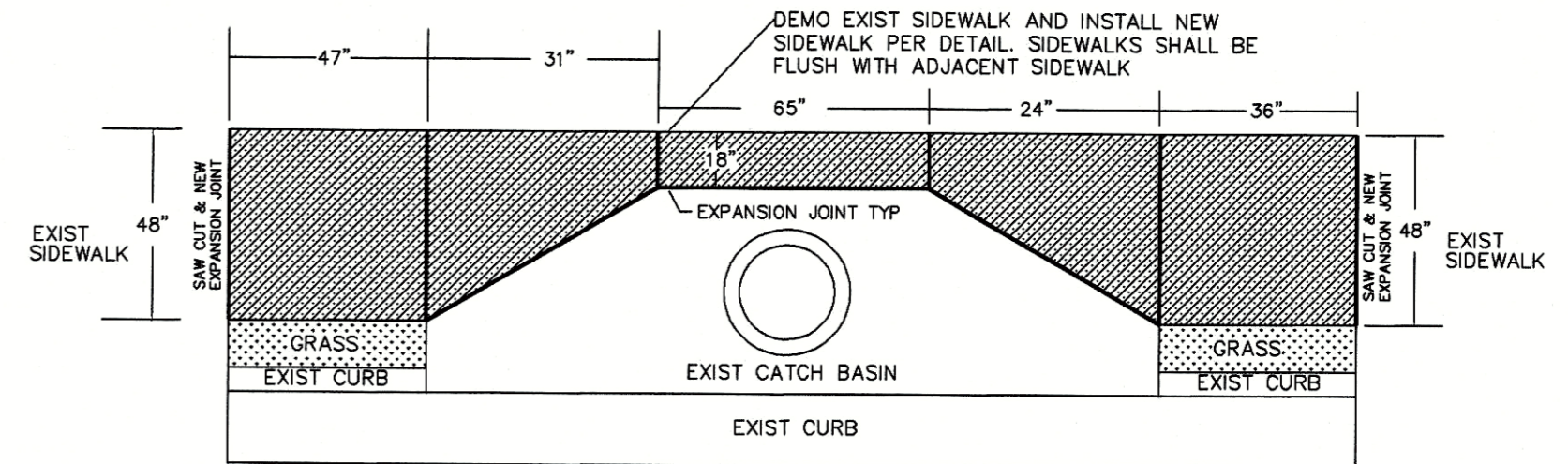
SIDEWALK REPAIR 115 BRUNSWICK DRIVE
NTS



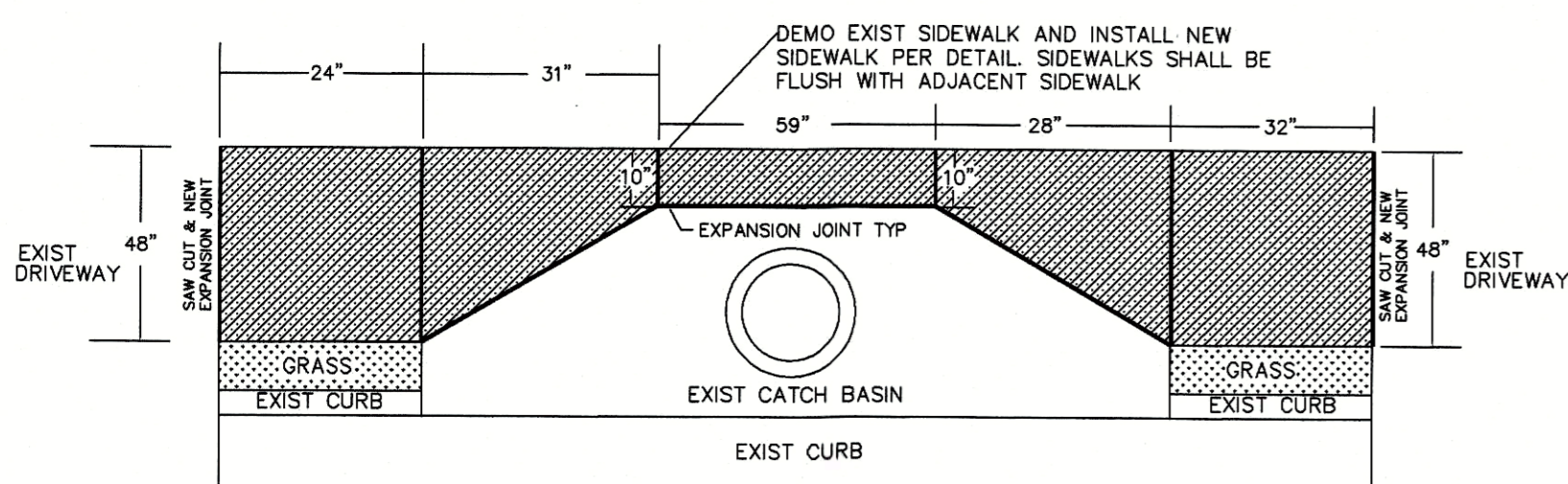
SIDEWALK REPAIR 102 DOVER CHASE
NTS



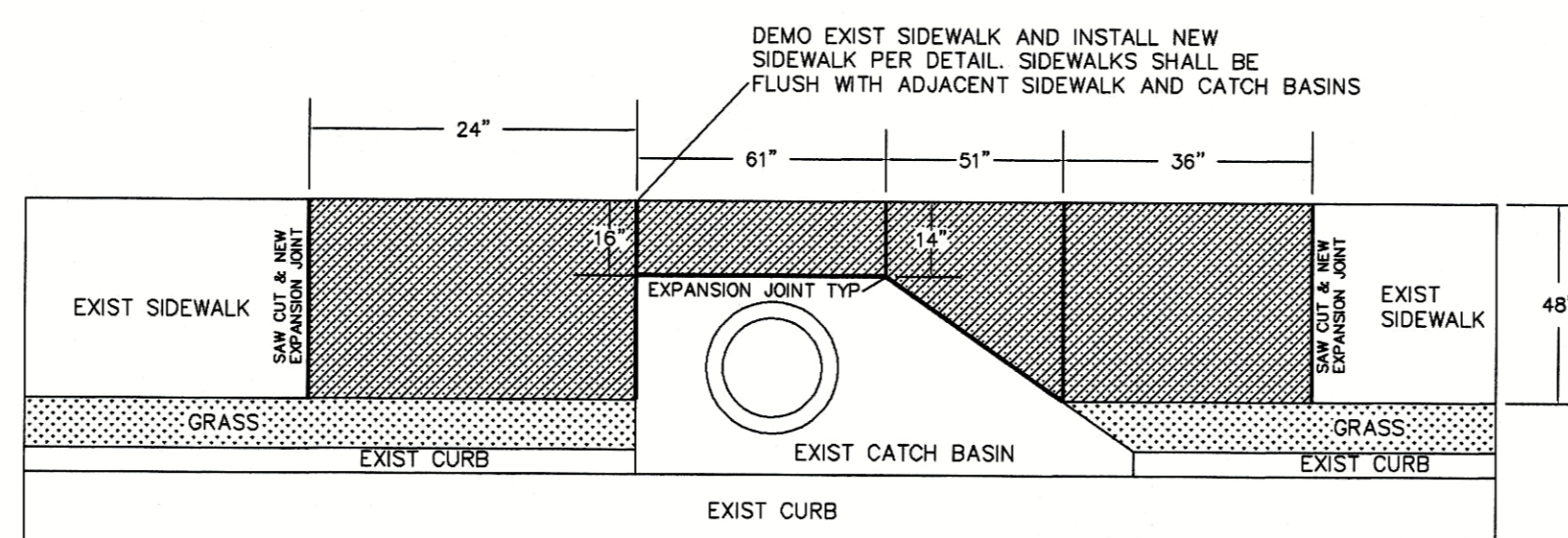
SIDEWALK REPAIR 106 WILMINGTON PLACE
NTS



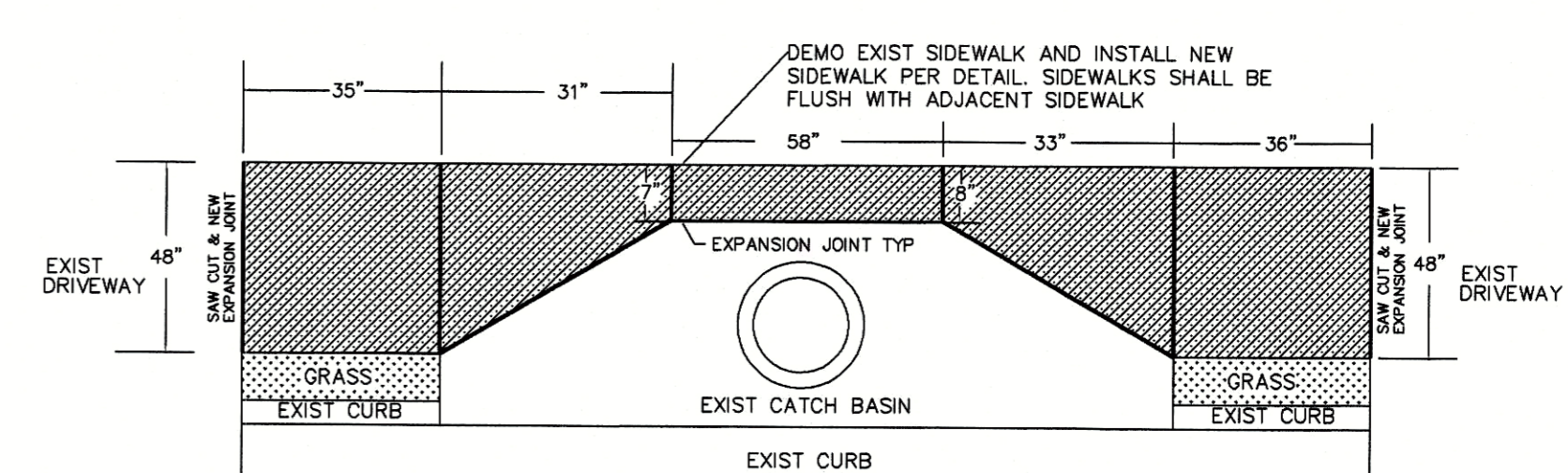
SIDEWALK REPAIR 110 WILMINGTON PLACE
NTS



SIDEWALK REPAIR 215 CHADMORE LANE
NTS



SIDEWALK REPAIR 200 CHADMORE LANE
NTS



SIDEWALK REPAIR 226 CHADMORE LANE
NTS

TOWN OF TYRONE
950 SENOIA ROAD
TYRONE, GA 30290
770-487-4038



2021 SIDEWALK REPAIRS
ESTATES AND SOUTHAMPTON

PW-2021-01

TOWN OF TYRONE

SOUTHAMPTON

SOUTHAMPTON
SIDEWALK
PLAN VIEW

Scale AS NOTED

Designed by SAL

Drawn by SAL

Sheet No. C103

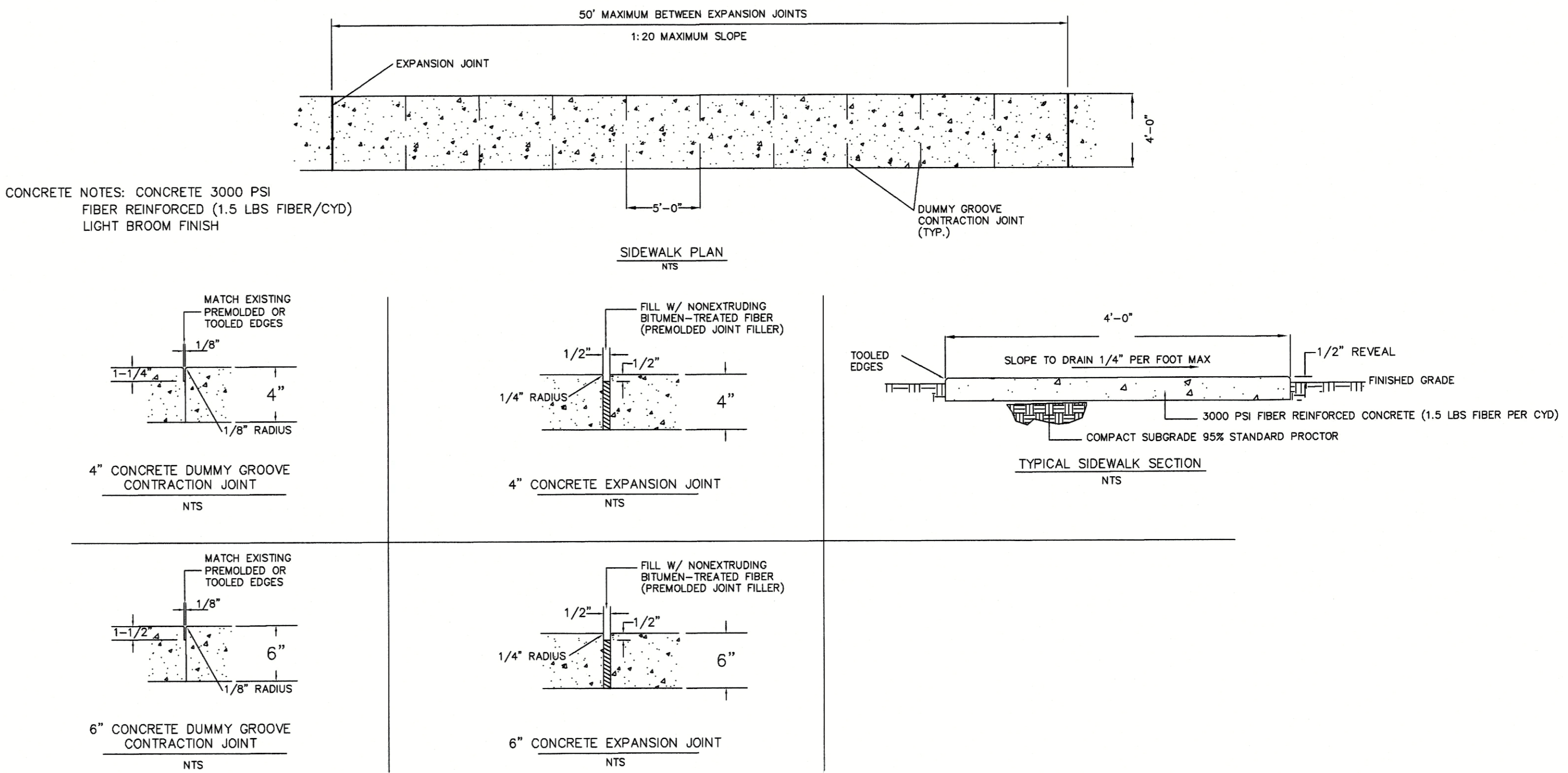
Date JAN 10, 2021

Filename: 2021 SIDEWALK REPAIRS

ESTATES SIDEWALK SCHEDULE REMOVE & REPLACE SIDEWALK				
SECTION NUMBER	LOCATION	LINEAR FEET	SQUARE FEET	SPECIAL NOTES
E1	170 BENNINGTON PASS	15.5	62	
E2	100/120 CASTLEBROOK CHASE	5	20	
E3	105/115 CASTLEBROOK CHASE	6	24	
E4	120 CASTLEBROOK CHASE	6	24	
E5	100 DEVONSHIRE PLACE	8	32	
E6	100 DEVONSHIRE PLACE	5	20	
E7	105 DEVONSHIRE PLACE @ RAMP	2	8	
E8	105 DEVONSHIRE PLACE @ CULVERT	7.25	29	
E9	155 DEVONSHIRE PLACE	13	260	
E10	130 DEVONSHIRE PLACE	5	20	
E11	185 HEDGEWICK WAY (GAS LINE)	3	12	6" THICK
E12	185 HEDGEWICK WAY (GAS LINE)	3	12	6" THICK
E13	185 HEDGEWICK WAY (GAS LINE)	3.3	13.3	6" THICK
E14	120 STURBRIDGE PLACE (GAS LINES)	45	180	6" THICK
E15	100 NEWFIELD DRIVE	4	16	
E16	145 NEWFIELD DRIVE @ RAMP	2	8	
E17	105 MELROSE GLEN	9	36	

SOUTHAMPTON SIDEWALK SCHEDULE REMOVE & REPLACE SIDEWALK				
SECTION NUMBER	LOCATION	LINEAR FEET	SQUARE FEET	SPECIAL NOTES
S1	460 CARRIAGE OAKS	4	16	
S2	412 CARRIAGE OAKS	7	28	
S3	412 CARRIAGE OAKS	14.5	87.5	6" THICK AND 6 FEET WIDE @ PUMP STATION DRIVEWAY
S4	300 WYNFIELD DRIVE	4	16	
S5	123 BRUNSWICK DRIVE	12.25	49	
S6	206 BRUNSWICK DRIVE	32	128	
S7	102 VILLAGE GREEN @ MANHOLE	7	28	EXPANSION JOINTS @ MH AND TO EXISTING SIDEWALK

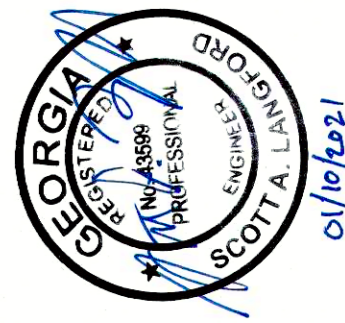
- PROJECT GENERAL NOTES:
- 1) SIDEWALK WILL BE MARKED IN THE FIELD AT PRECON WITH CONTRACTOR AND THE TOWN OF TYRONE (OWNER).
 - 2) CONTRACTOR IS RESPONSIBLE FOR UTILITY LOCATES AND MARKING BEFORE CONSTRUCTION. ANY DAMAGE TO UTILITIES WILL BE REPAIRED TO THE UTILITY COMPANY'S ACCEPTANCE AND PAID BY THE CONTRACTOR. ALL REPAIRS WILL BE AT NO COST TO THE OWNER.
 - 3) INSPECTION ARE REQUIRED PRIOR TO CONCRETE POUR. CONTRACTOR WILL CONTACT OWNER 48 HOURS PRIOR TO POUR FOR INSPECTION. OWNER WILL PAY FOR ONE INSPECTION FOR EACH POUR AND ANY RE-INSPECTIONS OR DELAYS WILL BE AT THE COST OF THE CONTRACTOR.
 - 4) CONTRACTOR IS RESPONSIBLE FOR ALL TRAFFIC CONTROL. TRAFFIC CONTROL SHALL MEET MUTCD AND GDOT REQUIREMENTS.
 - 5) CONTRACTOR SHALL PROVIDE WARNING SIGNAGE AND BARRIERS AROUND OPEN EXCAVATIONS AND WORK AREAS.
 - 6) PLANS ARE A GENERAL REPRESENTATION OF LOCATION AND DIMENSIONS. CONTRACTOR IS REQUIRED TO PERFORM A SITE VISIT PRIOR TO BID TO FIELD VERIFY ALL ONSITE CONDITIONS AND MEASUREMENTS. NO ADJUSTMENTS WILL BE MADE IN COST FOR ANY ITEM THAT COULD/SHOULD HAVE BEEN IDENTIFIED DURING A SITE VISIT.
 - 7) WORK HOURS SHALL BE 8AM TO 6PM. WORK BEYOND THESE HOURS MUST BE APPROVED IN WRITING BY THE OWNER PRIOR TO THE WORK BEING PERFORMED.
 - 8) CONTRACTOR SHALL BE RESPONSIBLE FOR ALL WORK SAFETY AND COMPLIANCE WITH OSHA REGULATIONS. THE CONTRACTOR SHALL NOT PLAY MUSIC OR ALLOW SMOKING ON THE JOB SITE.
 - 9) CONTRACTOR SHALL BE RESPONSIBLE FOR SITE SECURITY. LOCATION FOR OVERNIGHT PARKING OF EQUIPMENT AND VEHICLES MUST BE APPROVED BY THE OWNER.
 - 10) COLLECTION OF TRASH/DEBRIS SHALL BE AT THE END OF EACH WORK DAY. ALL TRASH/DEBRIS SHALL BE DISPOSED OF LEGALLY OFFSITE.
 - 11) CONTRACTOR SHALL INSTALL AND REMOVE EROSION CONTROL MEASURES AS NEEDED AT EACH LOCATION. THIS INCLUDES PROVIDING A CONCRETE WASHOUT AREA/DUMPSTER.
 - 12) CONTRACTOR SHALL REPLACE ALL GRASS AREAS DISTURBED WITH SOD THAT MATCHES THE SPECIES OF THE EXISTING SOD. ANY OTHER LANDSCAPING SHALL BE REPLACED TO MATCH THE PRE-CONSTRUCTION CONDITIONS. (THIS INCLUDES, BUT IS NOT LIMITED TO, MULCH, PINE STRAW, BUSHES, AND IRRIGATION SYSTEM PARTS).
 - 13) CONTRACTOR IS RESPONSIBLE FOR REMOVAL AND DISPOSAL OF EXISTING CONCRETE SIDEWALK AND PROTECTING EXISTING CONCRETE TO REMAIN. ALL CUTS SHALL BE SAW CUT. ALL CUTS SHALL BE CONSIDERED AN EXPANSION JOINT AND SHALL HAVE JOINT FILLER PER EXPANSION JOINT DETAIL.
 - 14) NEW SIDEWALK TOOLING AND FINISH SHALL MATCH EXISTING SIDEWALK.
 - 15) ALL CONCRETE SIDEWALKS SHALL BE 3000 PSI FIBER REINFORCED CONCRETE WITH 1.5 POUNDS OF FIBER PER CUBIC YARD ADDED AT THE CONCRETE PLANT. CONTRACTOR SHALL PROVIDE LOAD TICKETS FROM THE PLANT STATING MIX PSI AND FIBER CONTENT TO THE OWNER/INSPECTOR.



CONCRETE SIDEWALK DETAILS (ALL LOCATIONS)
NOT TO SCALE

BEFORE DIGGING IN
GEORGIA
CALL 811

TOWN OF TYRONE
950 SENOIA ROAD
TYRONE, GA 30290
770-487-4038



Project Name: 2021 SIDEWALK REPAIRS
ESTATES AND SOUTHAMPTON
Project No.: PW-02021-01
Location: TOWN OF TYRONE

Site	Summary	Date	By

ESTATES & SOUTHAMPTON

Sheet Title: DETAILS & SCHEDULES

Scale: AS NOTED

Designed by: SAL

Drawn by: SAL

Sheet No.: C104

Date: JAN 10, 2021

Filename: 2021 SIDEWALK REPAIRS